



EL LEON

Rear crane

GT 620

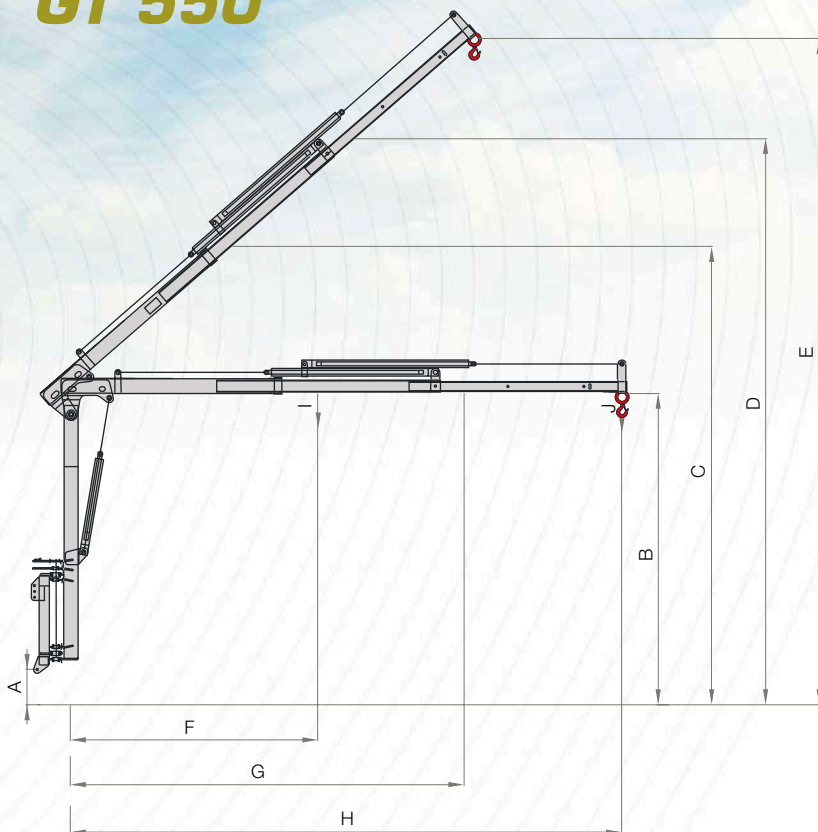
GT 550



Rear crane

GT 620

GT 550



- > Mounting on lift arms
- > Telescopic arm with double hydraulic extension
- > Hydraulic Trigger
- > Double acting hydraulic cylinders
- > 160° Hydraulic turn
- > Electro-hydraulic drive with 5 fonctions (turn, lift, double extension and trigger)

		A	B	C	D	E	F	G	H	I	J
GT 620	mm	520	3.110	4.550	5.400	6.200	2.400	3.800	5.200	850kg	300kg
GT 550	mm	520	2.700	3.800	4.650	5.500	2.050	3.300	4.550	980kg	400kg

DOUBLE HYDRAULIC EXTENSION AND HYDRAULIC TRIGGER

	REACH	TURN RADIUS	MAX. LOAD	MAX. LOAD	HEIGHT	WEIGHT
	Maximum at ground level mm	Degrees	Arm collected kg	Arm extended kg	Maximum elevation mm	Machine kg
GT 620	5.200	160°	850	300	6.200	620
GT 550	4.550	160°	980	340	5.500	600



Polígono Valdeferrín 104. Apdo. 23 | 50600 Ejea de los Caballeros. Saragossa
 Tel. +34 976 660 258 | Fax +34 976 660 170
 info@el-leon.es www.el-leon.es

www.facebook.com/palasselleon

@palas_el_leon

SARAGOSSA DELEGATION
 Via Universitat, 6, 8º 3ª
 Tel. +34 976 660 258
 50009 Saragossa SPAIN
 palas@el-leon.es

DISTRIBUTOR